

- In addition to routine checks for each use, PPE should regularly undergo a detailed inspection by a competent person. Petzl recommends an inspection every 12 months and after any exceptional event in the life of the product.
- PPE inspection should be done with the manufacturer's instructions available for reference. Download the instructions at [PETZL.COM](http://PETZL.COM)

## QUICKDRAWS



### 1. Known product history

Any PPE showing unexpected degradation should be quarantined, pending a detailed inspection.

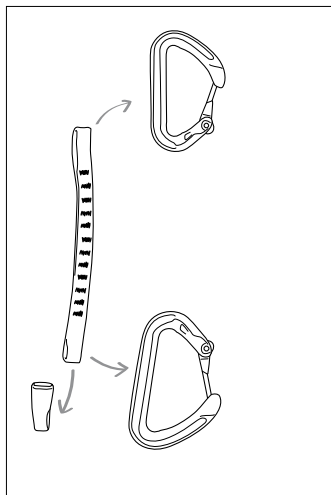
The user should:

- Provide precise information on the usage conditions.
- Report any exceptional event regarding his PPE. (Examples: fall or fall arrest, use or storage at extreme temperatures, modification outside manufacturer's facilities, etc.).

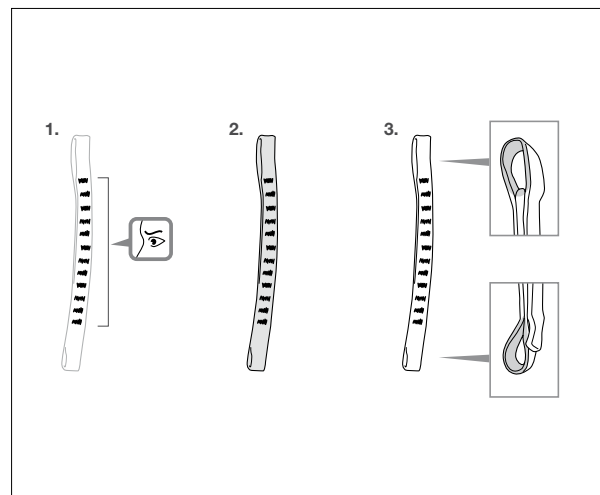
### 2. Preliminary observations

Verify the presence and legibility of the serial number and the CE mark.  
 Verify that the product lifetime has not been exceeded.  
 Compare with a new device to verify there are no modifications or missing elements.

### 3. Checking the condition of the sling

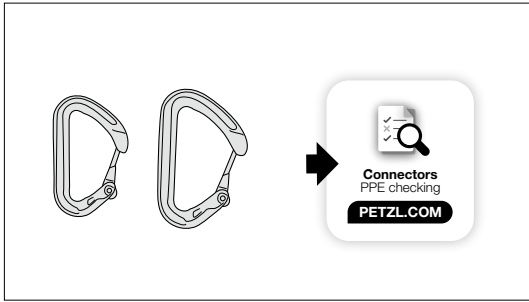


- Remove the connectors and the STRING from the quickdraw.



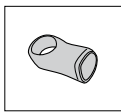
- Check the condition of the stitching. Look for any threads that are loose, worn, or cut.
- Look for wear and damage due to use (cuts, fuzziness, signs of chemical damage, loose threads...).
- Inspect the inside of the carabiner loops.

#### 4. Checking the condition of quickdraw connectors

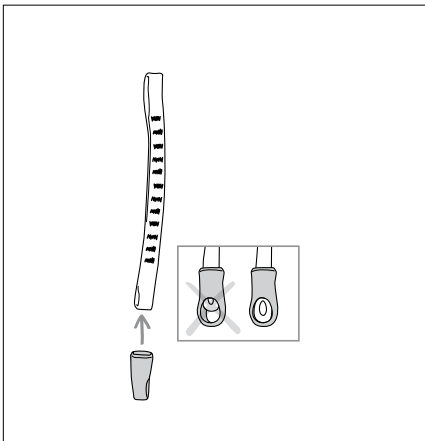


- For connector inspection, see the inspection form for your connector model at [Petzl.com](https://www.petzl.com).

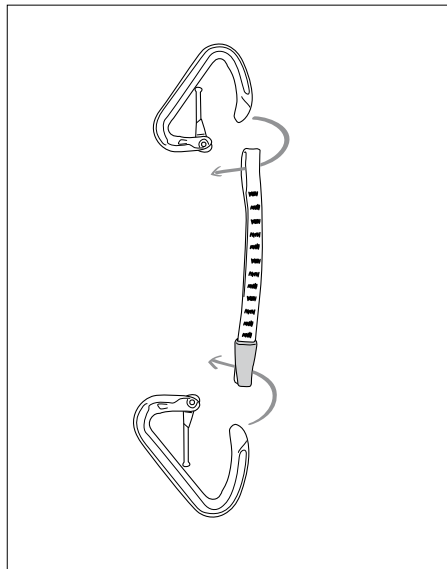
#### 5. Checking the protection elements



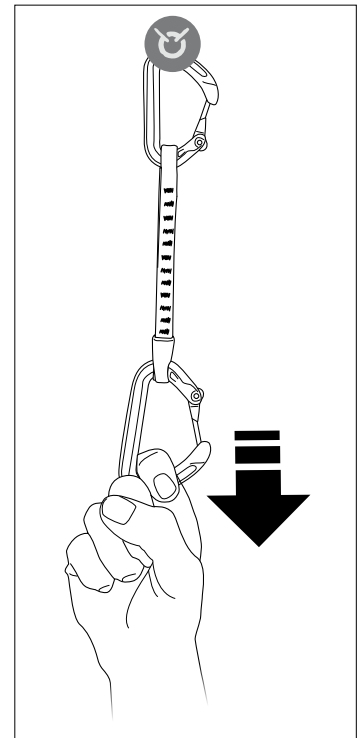
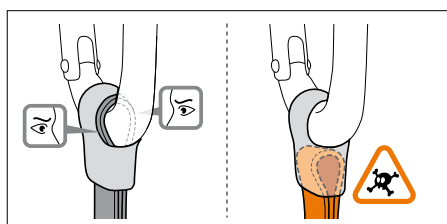
- Check the condition of the STRING.



- Re-install the STRING.



- Re-install the connectors.



- Verify that the connector/sling/STRING assembly is correct.