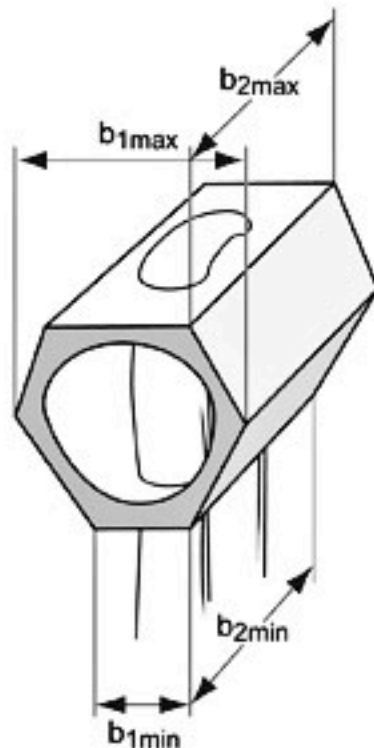
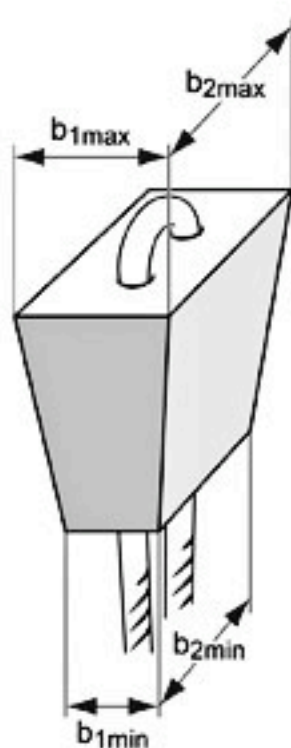


Note: This representation of EN 12270 and UIAA 124 does not contain the full details of the test methods and requirements in these standards; it gives only a simplified pictorial presentation. For full details, EN 12270:1998 and UIAA 124:2004 should be consulted. © UIAA, Pit Schubert, Neville McMillan, 2009



### Definition of width

$b_{max}$  = largest width as shown  
 $b_{min}$  = smallest width as shown

### Design requirements

The sling for clipping in a karabiner shall be large enough to insert a pin of 15mm diameter.

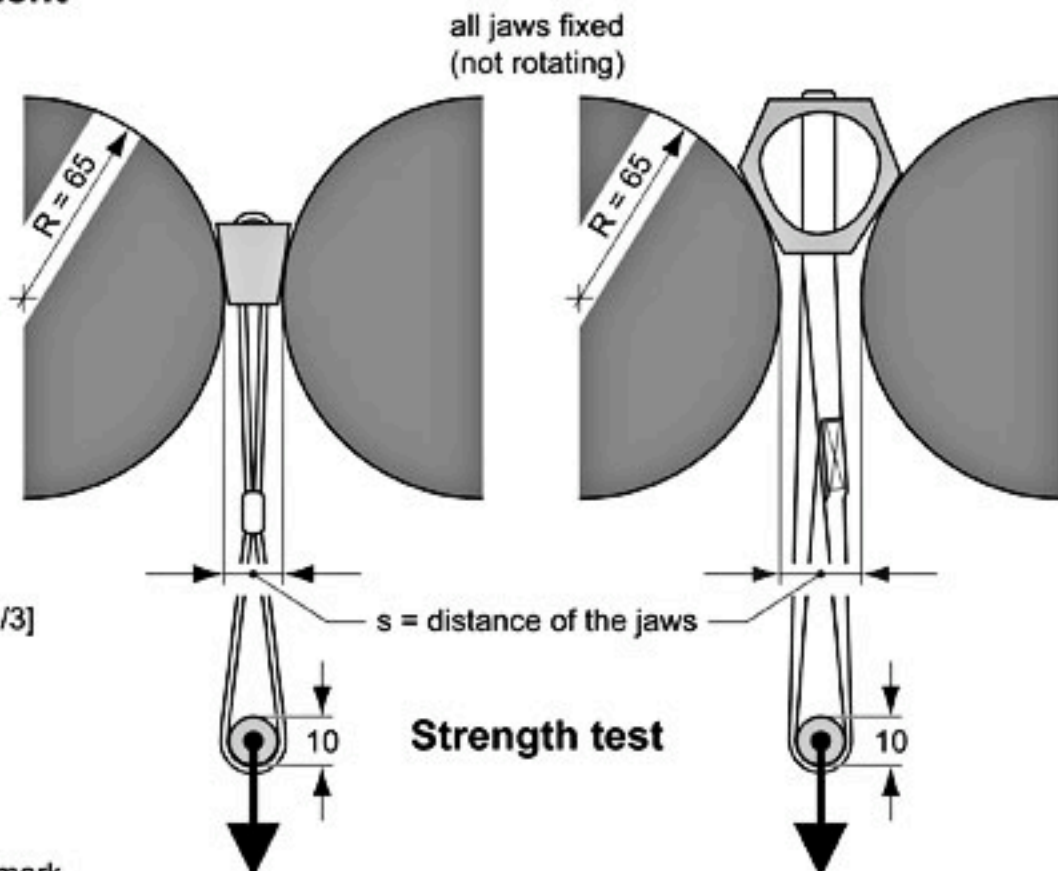
### Strength requirement

for all types and sizes  
 at least 2 kN

If a Chock can be placed in different positions all positions shall be tested.

Calculation of the distance of the jaws

$$s = b_{min} + [(b_{max} - b_{min}) 1/3]$$



The manufacturer has to mark on the Chock the minimum load in kN, he guarantees.

all dimensions in mm