

WILD COUNTRY

(GB) Product instructions
(FR) Produit information
(DE) Bedienungsanleitung
(IT) Istruzioni prodotto
(ES) Instrucciones de productos

**CLIMBER'S SIT HARNESS**

(GB) Product name
(FR) Nom du produit
(DE) Produkt name
(IT) Nome prodotto
(ES) Nombre del producto

(GB) PRODUCT DESIGNATION:

Climber's sit harness, for climbing and mountaineering purposes, for use in normal climatic conditions.

(FR) REFERENCE DU PRODUIT: Harnais cuissard d'escalade, pour une utilisation dans des conditions climatiques normales, pour l'alpinisme et l'escalade.
(DE) PRODUKT ZWECK: Klettersitzgurt, zum Gebrauch beim Klettern oder Bergsport, bei normalen klimatischen Bedingungen.
(IT) DESIGNAZIONE DEL PRODOTTO: Imbracatura bassa da arrampicata, da utilizzare per arrampicate e attività di alpinismo, in condizioni climatiche normali.

(ES) DENOMINACION DEL PRODUCTO: Arnés de cintura para escalada, para uso en actividades de escalada y montañismo en condiciones climáticas normales.

EN 12277 type C

(GB) Product compliance
(FR) Conformité du produit
(DE) Produktkonformität
(IT) Conformità prodotto
(ES) Producto conforme a

(GB) CE CERTIFICATION:

The accredited notified body (No. 0120) for this Wild Country product is; S.G.S. (UK) Ltd, 202b Worle Parkway, Weston Super Mare, BS22 6WA, UK.
(FR) CERTIFICATION CE: L'organisme notifié accrédité (No. 0120) pour les produits Wild Country est; S.G.S. (UK) Ltd, 202b Worle Parkway, Weston Super Mare, BS22 6WA, UK.
(DE) CE-ZERTIFIZIERUNG: Die benannte Stelle S.G.S. UK Ltd., Uni 202b Worle Parkway, Westen-Super-Mare, BS22 6WA, UK, (Kennnummer 0120) ist für dieses Wild Country Produkt akkreditiert.
(IT) MARCATURA CE: L'organismo notificato accreditato (N. 0120) per questo prodotto Wild Country è; S.G.S. (UK) Ltd, 202b Worle Parkway, Weston Super Mare, BS22 6WA, REGNO UNITO.
(ES) CERTIFICACION CE: La empresa acreditada notificada (No. 0120) para este producto Wild Country es; S.G.S. (UK) Ltd, 202b Worle Parkway, Weston Super Mare, BS22 6WA, UK.

(GB) MANUFACTURER

(FR) FABRICANT
(DE) HERRSTELLER
(IT) PRODUTTORE
(ES) FABRICANTE
Wild Country Ltd, Meverill Road, Tideswell, Buxton, Derbyshire, SK17 8PY, United Kingdom.
Tel: +44 (0) 1298 871010
Fax: +44 (0) 1298 872667
E-mail: info@wildcountry.com
Web Site: www.wildcountry.com

CHINA

(GB) Country of origin
(FR) Pays d'origine
(DE) Herkunftsland
(IT) Paese d'origine
(ES) Pais de origen

(GB) HOW TO USE THIS PRODUCT

For guidance on how to use of this product, refer to the diagrams opposite. These diagrams cannot be substituted for comprehensive instruction by trained and competent persons.

(FR) UTILISATION DE CE PRODUIT

Pour plus d'informations sur l'utilisation de ce produit, reportez-vous au diagramme ci-joint. Attention, ces diagrammes ne remplacent pas les instructions complètes données par des personnes compétentes et avisées.

(DE) ANWENDUNG

Eine Empfehlung für die Anwendung dieses Produkts wird aus den Grafiken ersichtlich. Sie

können jedoch keine Einführung durch eine trainierte und kompetente Person ersetzen.
(IT) COME UTILIZZARE QUESTO PRODOTTO
Utilizzate gli schemi qui accanto come guida all'utilizzo. Gli schemi non possono sostituire le istruzioni che personale competente e addestrato può fornire.

(ES) COMO USAR ESTE PRODUCTO

Como orientación para aprender cómo usar este producto, refiérase a los diagramas adjuntos. Estos diagramas no pueden sustituir la apropiada formación a cargo de personal competente.

(GB) ADJUSTMENTS

The user must carry out movements and a test suspension in the equipment in order to be sure that it is correctly sized and will give a sufficient level of comfort for the intended use.

(FR) RÉGLAGES: L'utilisateur doit effectuer des mouvements et un test de suspension avec son matériel pour être sûr qu'il soit de la bonne taille et du niveau de confort nécessaire pour l'usage attendu.
(DE) EINSTELLUNGEN: Der Nutzer sollte mit seiner Ausrüstung Bewegungen und einen Test im aufgehängten Zustand durchführen, um sicher zu sein, daß sei seiner Körpergröße entspricht und den für den zu erwartenden Einsatz nötigen Komfort bietet.

(IT) REGOLAZIONI: L'utilizzatore deve effettuare dei movimenti ed una prova in sospensione con la propria imbracatura, per essere sicuro che sia della taglia giusta e confortevole per l'utilizzo previsto.
(ES) REGULACIÓN: El usuario debe efectuar movimientos y una prueba de suspensión con su arnés, para estar seguro que ha escogido la talla correcta y el nivel de comodidad deseado para el uso requerido.

(IT) REGOLAZIONI: L'utilizzatore deve effettuare dei movimenti ed una prova in sospensione con la propria imbracatura, per essere sicuro che sia della taglia giusta e confortevole per l'utilizzo previsto.
(ES) REGULACIÓN: El usuario debe efectuar movimientos y una prueba de suspensión con su arnés, para estar seguro que ha escogido la talla correcta y el nivel de comodidad deseado para el uso requerido.

(ES) REGULACIÓN: El usuario debe efectuar movimientos y una prueba de suspensión con su arnés, para estar seguro que ha escogido la talla correcta y el nivel de comodidad deseado para el uso requerido.

(GB) PRODUCT MARKING

In addition to the instruction leaflet accompanying this product the following information is marked on it or on the labelling:

(FR) MARQUAGE DU PRODUIT
En plus de la notice d'instructions qui accompagne ce produit, les informations suivantes sont marquées sur le produit même ou sur son étiquette:

(DE) PRODUKT MARKIERUNGEN
Zusätzlich zu der mitgelieferten Broschüre der Bedienungsanleitung ist das Produkt oder dessen Etikettierung mit folgenden Informationen gekennzeichnet:

(IT) MARCATURA DEL PRODOTTO
Oltre al libretto di istruzioni fornito assieme al prodotto, sul prodotto stesso o sull'etichetta troverete le seguenti informazioni:

(ES) MARCAJE DEL PRODUCTO
Como complemento al folleto de instrucciones que acompaña a este producto, la siguiente información va marcada sobre él o en su etiqueta.

WILD COUNTRY

(GB) The name of supplier.
(FR) Le nom du fournisseur.
(DE) Name des Anbieters.
(IT) Nome del fornitore.
(ES) Nombre del proveedor.

PRODUCT NAME

(GB) The name of the product.
(FR) Le nom du produit.
(DE) Name des Produkts
(IT) Il nome del prodotto.
(ES) El nombre del producto.

0120CE

(GB) The notified body number and CE mark. The CE mark must be affixed to all Personal Protective Equipment (PPE) used for climbing and mountaineering in accordance with European Union directive 89/686/EEC. The CE mark has been affixed to this product following type examination and testing by an accredited notified body to the relevant European standard

(FR) Le numéro de l'organisme notifié et la marque CE. La marque CE doit être apposée à tous les Equipements personnels de Protection (EPI) utilisés pour l'escalade et l'alpinisme conformément à la directive de l'Union Européenne 89/686/CEE. Le marquage CE a été apposée à ce produit après examinations et control par un organisme accrédité à la norme européenne.

(DE) Die benannte Stelle und Kennnummer der

CE-Kennzeichnung. Die CE-Kennzeichnung muss an allen persönlichen Sicherheitsausrüstungen (PSA) für Kletter- und Bergsportausrüstung gemäß der Richtlinie 89/686/EEG der Europäischen Union angebracht werden. Die CE-Kennzeichnung wurde, nach typgerechter Kontrolle und Prüfung durch eine akkreditierte und benannte Stelle gemäß europäischen Standards an dieses Produkt angebracht.

(IT) Il numero dell'organismo notificato e il marchio CE. Il marchio CE deve essere applicato a tutti i dispositivi di protezione individuali (DPI) utilizzati nell'arrampicata e nell'alpinismo in conformità alla direttiva dell'Unione Europea 89/686CEE. Il marchio CE è stato applicato al prodotto in seguito alla sua certificazione e a test eseguiti da un organismo notificato accreditato al relativo standard Europeo. (ES) Número de empresa notificada y marca CE. De acuerdo con la Directiva de la Unión Europea 89/686/EEC, todos los Equipos de Protección Individual (EPI) usados en escalada y montañismo deben llevar la marca CE. El marcaje CE de este producto se ha realizado siguiendo los exámenes y pruebas tipo, por una empresa acreditada siguiendo la normativa Europea procedente.

(GB) TRACEABILITY

(FR) Traçabilité
(DE) Rückverfolgbarkeit
(IT) Tracciabilità
(ES) Trazabilidad

ABC

(GB) The three letter batch/date code where:
'A' First letter indicates year of manufacture e.g. A=Year 2000. B=2001 etc.
'B' Second letter indicates manufacturer, Wild Country internal reference.
'C' Third letter indicates month of manufacture e.g. A=January, B=February etc.

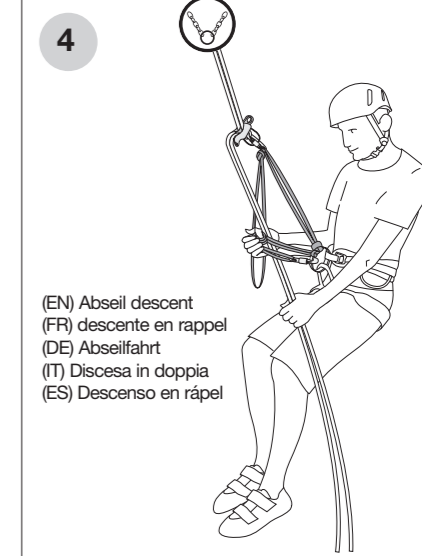
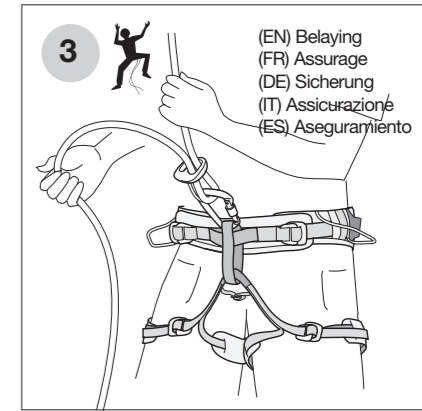
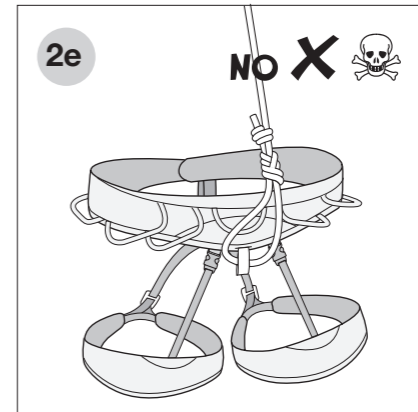
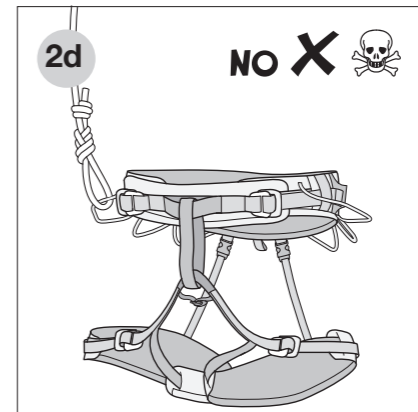
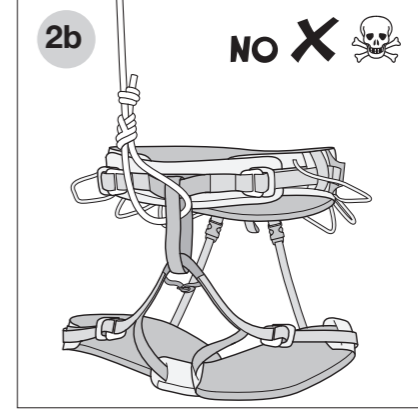
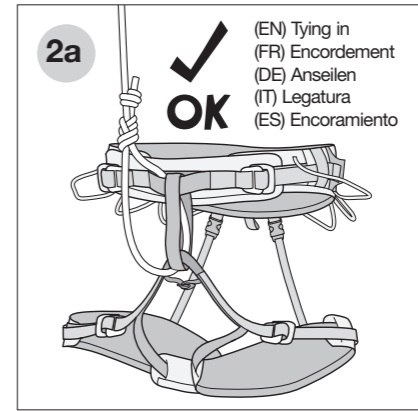
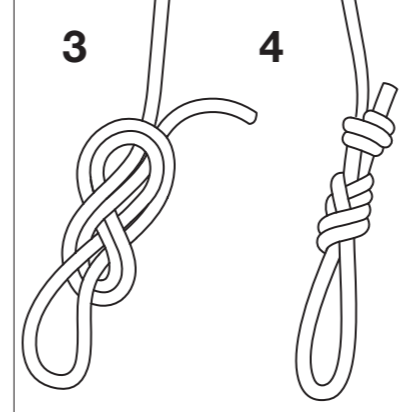
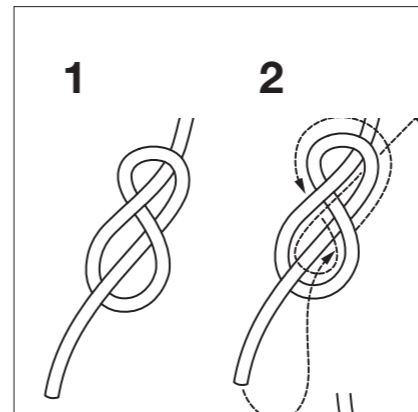
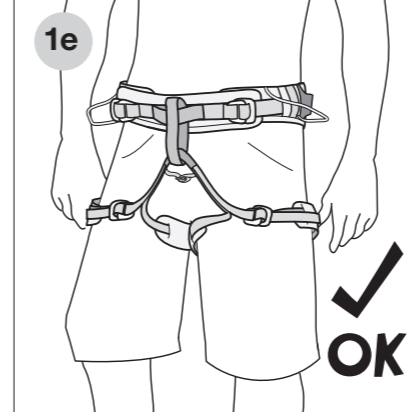
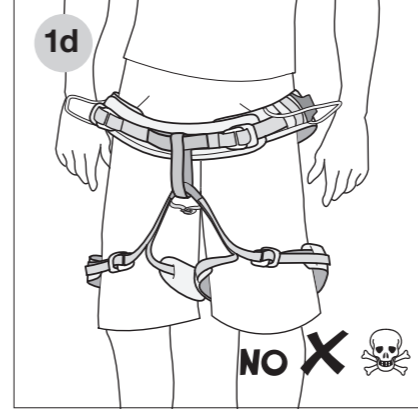
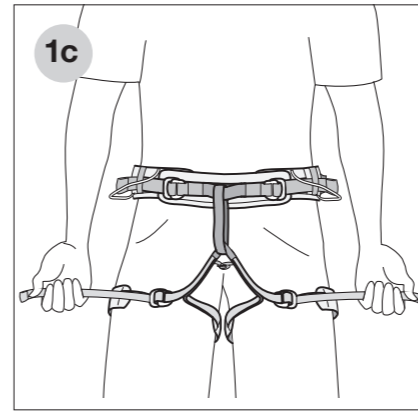
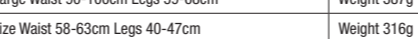
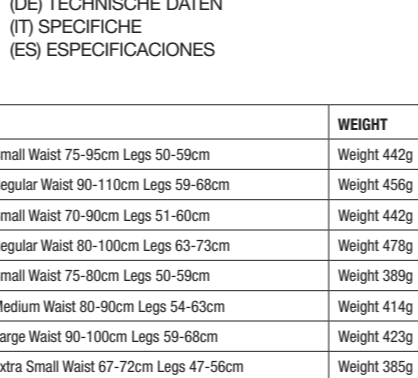
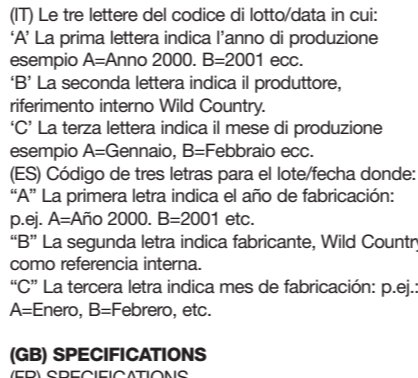
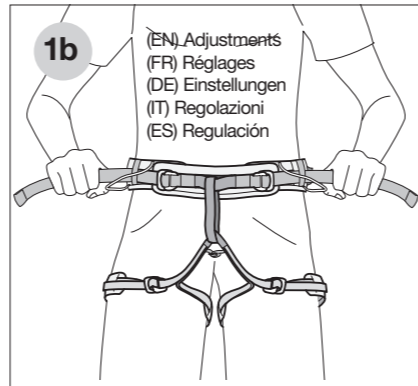
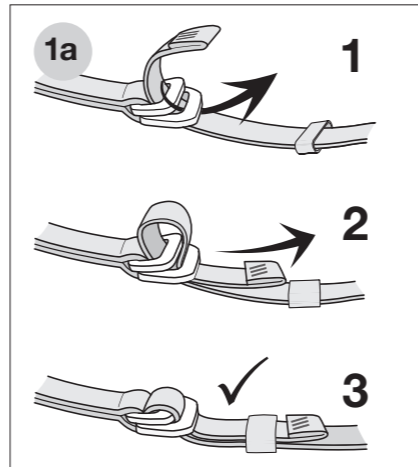
(FR) Les trois lettres du lot/date où :
'A' la première lettre indique l'année de fabrication, par exemple A = l'an 2000. B = 2001 etc.
'B' la deuxième lettre indique la référence interne de fabrication de Wild Country.
'C' la troisième lettre indique le mois de fabrication, par exemple A = janvier, B = février etc.

(DE) Buchstabenkennzeichnung/Datum Kurzzeichen:
'A' Erster Buchstabe bezeichnet Herstellungsjahr z.B. A=Jahr 2000. B=2001 etc.
'B' Zweiter Buchstabe bezeichnet den Hersteller, Wild Country Aktenzeichen.
'C' Dritter Buchstabe bezeichnet den Herstellungsmonat z.B. A=Januar, B=Februar etc.

(IT) Le tre lettere del codice di lotto/data in cui:
'A' La prima lettera indica l'anno di produzione esempio A=Anno 2000. B=2001 ecc.
'B' La seconda lettera indica il produttore, riferimento interno Wild Country.
'C' La terza lettera indica il mese di produzione esempio A=Gennaio, B=Febbraio ecc.

(ES) Código de tres letras para el lote/fecha donde:
"A" La primera letra indica el año de fabricación: p.ej. A=Año 2000. B=2001 etc.
"B" La segunda letra indica fabricante, Wild Country como referencia interna.
"C" La tercera letra indica mes de fabricación: p.ej.: A=Enero, B=Febrero, etc.

NAME	SPECIFICATION	SIZE	WEIGHT
Summit	Mens 4 Buckle Adjustable Harness	Size Small Waist 75-95cm Legs 50-59cm	Weight 442g
Summit	Mens 4 Buckle Adjustable Harness	Size Regular Waist 90-110cm Legs 59-68cm	Weight 456g
Spire	Womens 4 Buckle Adjustable Harness	Size Small Waist 70-90cm Legs 51-60cm	Weight 442g
Spire	Womens 4 Buckle Adjustable Harness	Size Regular Waist 80-100cm Legs 63-73cm	Weight 478g
Eclipse	Mens 3 Buckle Adjustable Harness	Size Small Waist 75-80cm Legs 50-59cm	Weight 389g
Eclipse	Mens 3 Buckle Adjustable Harness	Size Medium Waist 80-90cm Legs 54-63cm	Weight 414g
Eclipse	Mens 3 Buckle Adjustable Harness	Size Large Waist 90-100cm Legs 59-68cm	Weight 423g
Aurora	Womens 3 Buckle Adjustable Harness	Size Extra Small Waist 67-72cm Legs 47-56cm	Weight 385g
Aurora	Womens 3 Buckle Adjustable Harness	Size Small Waist 72-77cm Legs 51-60cm	Weight 399g
Aurora	Womens 3 Buckle Adjustable Harness	Size Medium Waist 77-85cm Legs 63-73cm	Weight 430g
Blaze	Mens 3 Buckle Adjustable Harness	Size Extra Small Waist 70-75cm Legs 47-56cm	Weight 385g
Blaze	Mens 3 Buckle Adjustable Harness	Size Small Waist 75-80cm Legs 50-59cm	Weight 392g
Blaze	Mens 3 Buckle Adjustable Harness	Size Medium Waist 80-90cm Legs 54-63cm	Weight 411g
Blaze	Mens 3 Buckle Adjustable Harness	Size Large Waist 90-100cm Legs 59-68cm	Weight 429g
Blaze	Mens 3 Buckle Adjustable Harness	Size Extra Large Waist 100-110cm Legs 65-73cm	Weight 458g
Flare	Womens 3 Buckle Adjustable Harness	Size Extra Small Waist 67-72cm Legs 47-56cm	Weight 380g
Flare	Womens 3 Buckle Adjustable Harness	Size Small Waist 72-77cm Legs 51-60cm	Weight 399g
Flare	Womens 3 Buckle Adjustable Harness	Size Medium Waist 77-85cm Legs 63-73cm	Weight 428g
Boost	Fixed Leg Harness	Size Extra Small Waist 70-75cm Legs 47-56cm	Weight 338g
Boost	Fixed Leg Harness	Size Small Waist 75-80cm Legs 50-59cm	Weight 350g
Boost	Fixed Leg Harness	Size Medium Waist 80-90cm Legs 54-63cm	Weight 363g
Boost	Fixed Leg Harness	Size Large Waist 90-100cm Legs 59-68cm	Weight 387g
Spark	Kids Fixed Leg Harness	One Size Waist 58-63cm Legs 40-47cm	Weight 316g



WILDCOUNTRY
Climber's sit harness

(Harnais cuissard d'escalade)
(GB) Product instructions
(FR) Produit information
(DE) Bedienungsanleitung
(IT) Istruzioni prodotto
(ES) Instrucciones de productos

Wild Country Ltd,
Meverill Road
Tideswell, Buxton
Derbyshire
SK17 8PY
United Kingdom.

Tel: +44 (0) 1298 871010
Fax: +44 (0) 1298 872667
E-mail: info@wildcountry.com
Website: www.wildcountry.com

0120CE

F092D/QA/2/JAN14/V8831

(EN) WILD COUNTRY PRODUCT INSTRUCTIONS

This notice contains general product information only, for complete product information, see also the attached notice of information specific to this product.

GENERAL INFORMATION

Adhere strictly to the following advice and recommendations; if in doubt please contact Wild Country Ltd. The information in these instructions is not exhaustive and cannot be substituted for comprehensive instruction by trained and competent persons. This product should only be used by trained and competent persons or the user should be under the supervision of a trained and competent person.

Climbing and mountaineering are hazardous; even correct selection, maintenance and use of the correct equipment cannot eliminate the potential for danger, serious injury or death. It is the users responsibility at all times to ensure that he or she understands the correct and safe use of any product supplied by Wild Country Ltd; uses it only for the purposes for which it is designed and practices all proper safety procedures. The manufacturer or supplier will not accept any responsibility for damage, injury or death resulting from misuse.

GENERAL USE

This product should be used as instructed. It may be used in conjunction with any appropriate item of PPE covered by the aforementioned directive of suitable specification with due consideration to the limitations of each individual piece of equipment and of the belay system as a whole. No alterations or markings should be made to it.

The safety that this product provides depends upon its strength, the quality of the rock anchorage used and the integrity of the belay point. The strength will be reduced through age and general wear and tear dependent upon the amount of use to which it is put, see obsolescence for more details.

Be aware that this product can be damaged in a fall and consequently should always be examined for defects before reuse. If this product exhibits signs of wear or defects or if there is any doubt about its serviceability, replace it. It is recommended that any equipment involved in a serious fall should be replaced; lives may depend upon your equipment.

The user should be fully aware of the history of this product (use, storage, inspection, etc.). If this product is not for personal use (eg. used in mountaineering and rock climbing centers) we strongly recommend a systematic approach to record keeping. This should always be carried out by a competent person. In addition to the normal inspection required before use this product should be thoroughly examined at least once every three months by a competent person. If any defects are found as detailed in obsolescence or are suspected this product should be withdrawn from use immediately.

WARNING

The safe working life of this product maybe as little as one use in extreme circumstances.

GENERAL SAFETY ADVICE

Wearing a climbing helmet will help protect your head from injury if you fall. When using belay techniques we recommend the use of appropriate gloves. Foresee and take appropriate action in situations where rescue may be required.

HOW TO USE THIS PRODUCT

For guidance on how to use of this product, refer to the diagrams opposite. These diagrams cannot be substituted for comprehensive instruction by trained and competent persons.

TEMPERATURE

Always keep products made wholly or partially from textile elements below 50°C as the performance of the nylon/ Dyneema from which they are made may be affected at temperatures above this. Tests down to -40°C show no permanent change in the performance of this material although nylon/Dyneema may stiffen while at temperatures below 0°C.

CHEMICALS AND CORROSIVE AGENTS

Avoid all contact with chemical reagents as they will affect the performance of this product (eg. vehicle battery acid, bleach, etc.). Discard this product immediately if contact has or is suspected to have occurred (the product may be permanently weakened without showing any signs).

It is essential that this product is cleaned as soon as is practical after exposure to sea water or any saline environment (eg. when used on sea cliffs).

CLEANING AND DESINFECTION

First rinse the product in clean cold water of domestic supply quality. If still soiled rinse in warm water (maximum temperature 40°C) with pure soap. Thoroughly rinse and dry naturally in a warm ventilated room away from direct heat, where relevant refer to the specific cleaning advice on the label attached to the product.

MAINTENANCE

This product is not user maintainable with the exception of cleaning and lubrication where relevant; refer to the section "cleaning and disinfection" and the specific lubrication diagrams. We recommend the use of Parafin based lubricants only; contact Wild Country for further advice if in doubt.

STORAGE AND TRANSPORTATION

After any necessary cleaning and lubrication store the product unpacked in a cool, dark, dry, ventilated place away from sharp edges, pressure, corrosives or any possible causes of damage. Wet equipment should first be allowed to dry before storage or transportation.

Care should be taken to protect this product against such risks as those detailed in obsolescence. It is recommended that a rucksack or other suitable bag or container is used during transport.

OBsolescence

This product will deteriorate over time in the course of normal use and because of this we are required by directive 89/686/EEC to give an obsolescence date. It is difficult to be precise but a conservative estimate for this product is that it has a life span of 10 years from date of first use for metal components and 5 years from date of first use or 10 years from date of first storage for textile components. However, please note that the following factors will further reduce the safe working life of the product:-

Metal Components; normal use, exposure to chemical reagents, corrosion, heat contamination, high impact load during fall arrest, loading over sharp edges of rock or equipment or failure to maintain (clean and lubricate) as recommended.

Textile Components; most textile components used in safety equipment are known to degrade gradually with time even when stored in ideal conditions. Additionally normal use, rope burn, exposure to elevated temperatures, high impact load during fall arrest, prolonged exposure to UV light including sunlight, abrasion, cuts, loading over sharp edges of rock or

equipment or failure to maintain (clean) as recommended will cause further reduction in strength.

GUARANTEE

Wild Country Ltd guarantees all of its products from new against defects in workmanship or materials, unless the product has been worn out, misused or abused as determined by our examination. Wild Country will replace any product as appropriate after examination.

This guarantee is in addition to your statutory rights which remain unaffected. Wild Country Ltd reserves the right to modify without notice the design and specifications of products described in these instructions. All weights, dimensions and sizing specifications where quoted are nominal.

(FR) WILD COUNTRY PRODUCT INFORMATION

Cette notice d'informations générales aux produits est indissociable des notices d'informations spécifiques par produit.

INFORMATION GÉNÉRALE:

Respectez rigoureusement les conseils et les recommandations suivantes; en cas de doute, veuillez contacter Wild Country Ltd. Les informations contenues dans ces instructions ne sont pas exhaustives et ne peuvent pas être substituées us instructions données par des personnes compétentes et avisées. Ce produit ne doit être utilisé que par des personnes compétentes et avisées ou bien l'utilisateur doit être sous la surveillance d'une personne compétente et avisée.

L'escalade et l'alpinisme sont des activités dangereuses; même avec un choix correct, une maintenance et une utilisation de l'équipement appropriée, les risques de danger, de blessures graves ou de décès ne peuvent pas être éliminés. C'est à tout moment de la responsabilité de l'utilisateur de s'assurer qu'il ait bien compris les règles d'utilisation et de sécurité des produits Wild Country Ltd.; qu'il utilise uniquement le produit aux fins pour lesquelles il est conçu et pratique toutes les procédures de sécurité appropriées. Le fabricant ou le fournisseur n'acceptera aucune responsabilité pour les dommages, blessures ou décès pouvant survenir suite à une mauvaise utilisation de nos produits de quelque façon que ce soit.

UTILISATION GÉNÉRALE

Ce produit doit être utilisé selon les recommandations d'utilisation. Il peut être utilisé en conjonction avec d'autres équipements appropriés au PPE couverts par la directive citée ci-dessus selon les spécifications adaptées en tenant compte des restrictions de chaque élément de l'équipement et du système d'assurance dans son ensemble. Aucune altération ou marquage ne doivent être fait.

La sécurité que fournit ce produit dépend de sa résistance, de la qualité de l'ancrage au niveau du rocher utilisé et de l'intégrité du point d'assurance. La résistance sera réduite selon l'âge et l'usure générale, et selon la fréquence d'utilisation auquel il est soumis. Voir le paragraphe: "fin de vie du produit" pour plus de détails.

Sachez que ce produit peut être endommagé dans une chute et par conséquent, devrait toujours être examiné pour vérifier tous nouveaux défauts avant sa réutilisation. Si ce produit présente des signes d'usure ou des défauts ou s'il y a quelques doutes sur son état, remplacez-le. Il est recommandé que tous les équipements impliqués dans une chute graves soient remplacés; des vies peuvent dépendre de votre équipement.

L'utilisateur doit être pleinement conscient de l'historique de ce produit (utilisation, stockage, inspection, etc.). Si ce produit n'est pas pour un usage personnel (par exemple: utilisé en alpinisme et en salles d'escalade) nous recommandons vivement d'adopter une approche systématique à la tenue des registres. Cela devrait toujours être effectué par une personne compétente. En plus de l'inspection normale requise avant l'utilisation; ce produit devrait être soigneusement examiné au moins une fois tous les trois mois par une personne compétente. Si des défauts commencent ceux détaillés dans "fin de vie du produit" sont trouvés, le produit doit être immédiatement retiré de toute utilisation.

ATTENTION

La durée de vie de ce produit peut-être réduite à une seule utilisation dans des circonstances extrêmes.

CONSEILS DE SÉCURITÉ GÉNÉRALE

Porter un casque d'escalade aidera à protéger votre tête contre les blessures lors de chutes. Lors de l'utilisation de techniques d'assurance, nous vous recommandons l'utilisation de gants appropriés. Prévoir et prendre des mesures appropriées dans les situations où le sauvetage peut être nécessaire.

UTILISATION DE CE PRODUIT

Pour plus d'informations sur l'utilisation de ce produit, reportez-vous au diagramme ci-joint. Attention, ces diagrammes ne remplacent pas les instructions complètes données par des personnes compétentes et avisées.

TEMPÉRATURE

Gardez toujours les produits entièrement ou partiellement fabriqués de composants en textile au-dessous de 50°C. La performance du nylon/Dyneema dont ils sont conçus, peut être affectée à des températures au-dessus de ce 50°C. Lors des tests jusqu'à -40°C, les produits ne montrent aucun changement permanent de ce matériau, bien que le nylon/Dyneema puisse se raidir par des températures inférieures à 0°C.

PRODUITS CHIMIQUES ET AGENTS CORROSIFS

Évitez tout contact avec des réactifs chimiques car ils affecteront les performances de ce produit (par exemple: acide de batterie, eau de Javel, etc.). Rebuter ce produit immédiatement s'il y a eu contact ou si l'est soupçonné d'avoir eu lieu (le produit peut être définitivement affaibli sans montrer aucun signe).

Il est indispensable que ce produit soit nettoyé dès que possible après toute exposition à l'eau de mer ou à n'importe quel environnement salin (ex. lorsqu'il est utilisé sur des falaises maritimes).

NETTOYAGE ET DÉSINFECTION

Tout d'abord, rincer le produit dans de l'eau propre et froide dont la qualité est équivalente à celle de l'approvisionnement domestique. Si la saleté persiste, rincer à l'eau chaude (température maximum 40°C) avec un savon pur. Bien rincer et sécher naturellement dans une salle chaude et ventilée, loin de toute source de chaleur directe, selon les cas, reportez-vous à l'avis de nettoyage spécifié sur l'étiquette du produit.

ENTRETIEN

Ce produit ne peut pas être entretenu par l'utilisateur, à l'exception du nettoyage et de la lubrification, le cas échéant; reportez-vous à la section "nettoyage et désinfection" et aux diagrammes de lubrification. Nous vous recommandons

d'utiliser uniquement les lubrifiants à base de paraffine; contactez Wild Country pour plus de conseils en cas de doute.

STOCKAGE ET TRANSPORT

Prés tout nettoyage et lubrification stockez le produit sans emballage dans un endroit frais, sombre, sec et aéré loin d'arêtes tranchantes, de pression, d'éléments corrosifs ou d'autres causes possibles d'endommagement. Tout équipement humide doit tout d'abord être séché avant d'être stocké ou transporté.

Il faut veiller à protéger ce produit contre les risques détaillés dans "fin de vie du produit". Il est recommandé d'utiliser un sac/sac à dos ou un récipient lors du transport.

FIN DE VIE DU PRODUIT

Ce produit va se dégrader au fil du temps lors d'une utilisation normale et de ce fait, nous sommes tenus de donner une date d'expiration selon la directive 89/686/CEE. Il est difficile d'être précis, mais une estimation conservatrice donne une durée de vie de dix ans à compter de la date de la première utilisation de ce produit sur les composants en métaux et de 5 ans à compter de la date de la première utilisation ou de 10 ans à compter de la première date de stockage pour les composants en textile. Toutefois, veuillez noter que les facteurs suivants vont réduire davantage la durée de vie sécuritaire du produit:-

Pour les composants métalliques; l'usure normal, le contact avec des produits chimiques dangereux, la corrosion, les températures extrêmes, l'impact subit lors d'une chute avec un facteur de choc important), le contact avec une arête tranchante ou de défaillance d'entretien (nettoyage et lubrification) selon les recommandations. Pour les composants en textile; la plupart des composants en textile utilisés dans les équipements de sécurité sont connus pour se dégrader progressivement avec le temps même stockés dans des conditions idéales. Y compris, lors d'une utilisation normale, d'une brûlure de corde, de températures extrêmes, d'impact subit lors d'une chute avec un facteur de choc important, d'une exposition prolongée à la lumière UV, y compris aux rayons du soleil, d'abrasion, de déchirures, de contact avec une arête tranchantes (rocher ou matériel) ou de défaillance d'entretien (nettoyage et lubrification) selon les recommandations. Tout ceci va accroître la réduction de la résistance.

GARANTIE Wild Country Ltd garantit tous ses produits neufs contre les défauts de fabrication ou les défauts de matériaux, à moins que le produit ne soit usé, ou utilisé à mauvais escient. La décision finale de prise en charge ou non sous garantie est faite par Wild Country après examen du produit. Wild Country remplacera tout produit, selon la conclusion après son examen.

Cette garantie s'ajoute à vos droits statutaires, qui ne sont donc pas affectés. Wild Country Ltd se réserve le droit de modifier sans préavis, la conception et les spécifications des produits décrits dans ces instructions. Tous les poids, les dimensions et les tailles décrits sont à titre indicatif.

(DE) WILD COUNTRY BEDIENUNGSLEITUNG

Diese allgemeine Produktinformation ist nur gutlig im Zusammenhang mit den spezifischen Produktinformationen. Halten Sie sich genau an die folgenden Hinweise und Empfehlungen, im Zweifelsfall bitte Wild Country Ltd. kontaktieren. Diese Informationen sind nicht vollständig und können die Einführung durch eine trainierte und kompetente Person nicht ersetzen. Dieses Produkt darf nur von kompetenten und trainierten Personen, oder unter deren Anleitung, benutzt werden.

Halten Sie sich genau an die folgenden Hinweise und Empfehlungen, im Zweifelsfall bitte Wild Country Ltd. kontaktieren. Diese Informationen sind nicht vollständig und können die Einführung durch eine trainierte und kompetente Person nicht ersetzen. Dieses Produkt darf nur von kompetenten und trainierten Personen, oder unter deren Anleitung, benutzt werden.

Klettern und Bergsport sind risikoreich; daher können die korrekte Wahl, Pflege und Gebrauch der richtigen Ausrüstung die Möglichkeit von Schäden, schwere Verletzungen oder Tod nicht ganz ausschließen. Es unterliegt stets der Verantwortung des Nutzers sicherzustellen, dass er oder sie die korrekte und sichere Anwendung aller von Wild Country Ltd. gelieferter Produkte versteht, diese nur für den vorgesehenen Zweck verwendet, sowie alle Sicherheitsmaßnahmen beachtet. Der Hersteller oder Anbieter weist jede Verantwortung für Schäden, Versetzungen oder Tod, die aus nicht fachmännischen Gebrauch ergeben, von sich.

ALLGEMEINER GEBRAUCH

Dieses Produkt muss entsprechend der Anleitung verwendet werden. Es darf nur zusammen mit anderen Produkten entsprechender Spezialisierung verwendet werden, die, laut der oben genannten Richtlinie, als PSA eingestuft sind, wenn die Belastungsgrenzen jedes einzelnen Teiles und des gesamten Sicherungssystems eingehalten werden. Es dürfen keine Veränderungen oder Markierungen gemacht werden.

Die gewährleisteteste Sicherheit dieses Produktes hängt von dessen Belastbarkeit, der Qualität der verwendeten Sicherungshaken in der Wand und der Richtigkeit des Sicherungssystems ab. Die Belastbarkeit wird durch Alterung, allgemeinen Abrieb und Risse gemindert, je nachdem wie oft das Produkt gebraucht wird, siehe Verfallzeit des Produktes für mehr Informationen.

Es ist zu beachten, dass dieses Produkt durch einen Sturz beschädigt werden kann und daher in jedem Fall vor wiederholtem Gebrauch nach Schäden geprüft werden muss. Sollte das Produkt irgend welche Zeichen von Verschleiß oder Fehlern aufweisen, oder wenn die Gebrauchsfähigkeit angezweifelt wird, soll das Produkt ausgewechselt werden. Alles Material, das in einem ernsthaften Sturz belastet wurde muss ausgewechselt werden. Von der Ausrüstung hängen Leben ab.

Der Nutzer sollte über die Geschichte dieses Produkts gut informiert sein (Gebrauch, Aufbewahrung, Inspektion usw.). Wenn das Produkt nicht für den privaten Gebrauch vorgesehen ist (z.B. für Bergsport - oder Kletterhallenverleih) empfehlen wir strengstens, eine systematische Dokumentation über dessen Gebrauch zu führen. Dies darf nur durch eine kompetente Person gemacht werden. Zusätzlich zu den regulären Kontrollen vor Gebrauch, muss dieses Produkt in Abständen von maximal drei Monaten eingehend von einer kompetenten Person geprüft werden. Wenn irgend welche Zeichen von Schäden (siehe Verfallzeit) auftreten, oder vermutet werden, muss das Produkt sofort ausgedonnert werden.

WARNUNG Unter extremen Umständen kann sich der sichere Einsatz dieses Produktes auf eine einzige Benutzung beschränken.

ALLGEMEINER SICHERHEITSHINWEIS Das Tragen eines Kletterhelms wird im Falle eines Sturzes Kopfverletzungen vorbeugen. Beim Sichern empfehlen wir geeignete Handschuhe zu tragen. Situationen mit erhöhter Unfallgefahr sollten voragesehen und die nötigen Maßnahmen ergreifen werden.

ANWENDUNG

Eine Empfehlung für die Anwendung dieses Produkts wird aus den Grafiken ersichtlich. Sie können jedoch keine Einführung durch eine trainierte und kompetente Person ersetzen.

TERMERATUR

Ist das Produkt ganz oder teilweise aus Nylon/Dyneema hergestellt, darf es nur unterhalb von 50°C verwendet, bzw. aufbewahrt werden, da die Eigenschaften des Herstellungsmaterials bei höheren Temperaturen beeinträchtigt werden könnten. Die Eigenschaften von Nylon/ Dyneema wurde durch Tests bis zu -40°C nicht dauerhaft verändert, obwohl das Material, wenn unterhalb von 0°C, versteifen kann.

CHEMIKALIEN UND KORROSIONSMITTEL

Jeder Kontakt mit chemischen Edukten beeinträchtigen die Eigenschaften des Produktes und muss vermieden werden (z.B. Autobatteriesäure, Bleichmittel usw.). Das Produkt muss nach solchen Kontakt, oder bei Verdacht darauf, sofort ausgedonnert werden (es kann auch ohne augenscheinliche Zeichen dauerhaft beschädigt sein).

Wenn das Produkt Salzwasser oder anderen salzhaltigen Umgebungen ausgesetzt wurde, ist es erforderlich das Produkt alsbald zu reinigen (z.B. nach Gebrauch an Meereskülpfen).

REINIGUNG UND DESINFEKTION

Das Produkt erst mit kaltem Leitungswasser spülen. Hartnäckigere Verschmutzungen mit warmen Wasser (maximal 40°C) und neutraler Seife spülen. Gründlich ausspülen und in einem warmen, belüfteten Raum, abseits direkter Hitze lufttrocknen lassen. Besondere Reinigungshinweise sind, wenn nötig, dem Etikett zu entnehmen.

WARTUNG

Dieses Produktes kann nicht durch den Benützer gewartet werden, ausgenommen Reinigung und Schmieren, wie unter „Reinigung und Desinfektion“, sowie in der speziellen Grafik (Schmieren) dargestellt wird. Wir empfehlen den ausschließlichen Einsatz von Parafin basierten Ölen, im Zweifelsfall können weitere Auskünfte bei Wild Country eingeholt werden.

LAGERUNG UND TRANSPORT

Nach jeder Reinigung oder Schmierung das Produkt unverpackt an einem kühlen, dunklen, trockenen und gut durchlüfteten Ort lagern, ohne dass es mit scharfen Kanten, Druck, Korrosionsmittel oder anderen Quellen möglicher Beschädigungen in Kontakt kommt. Nasse Ausrüstung sollte vor Lagerung oder Transport getrocknet werden.

Risiken für das Produkt, wie unter Verfallzeit beschrieben, müssen vermieden werden. Für den Transport wird ein Rucksack oder eine andere geeignete Tasche oder Kiste empfohlen.

VERFALLZEIT DES PRODUKTS

Die Eigenschaften dieses Produktes werden bei normalen Gebrauch mit der Zeit nachlassen, somit sind wir gemäß der Richtlinie 89/686/EWG verpflichtet eine Verfallzeit anzugeben.

Diese ist nicht genau bestimmbar, aber eine vorsichtige Einschätzung besagt, dass Metallteile eine Lebensdauer von 10 Jahren nach erstem Gebrauch haben, Textilteile 5 Jahre nach erstem Gebrauch, oder 10 Jahre nach erster Lagerung. Allerdings sollte beachtet werden, dass folgende Faktoren den sicheren Einsatz des Produktes verringern werden:

Metallteile: normaler Gebrauch, Kontakt mit chemischen Edukten oder Hitze, Korrosion, hohe Belastung bei Sturzsicherung, Belastung über scharfe Ecken am Fels oder Ausrüstung oder durch Versäumnis der empfohlenen Pflege (Reinigung und Schmierung).

Textilteile: Es ist bekannt, dass die Eigenschaften der meisten Textilteile von Sicherheitsausrüstungen auch dann stetig nachlassen, wenn sie in optimalen Bedingungen gelagert werden. Zusätzlich verringern folgende Faktoren die Leistung des Produkts: normaler Gebrauch, Seilbrand, hohe Temperatur, hohe Belastung bei Sturzsicherung, lange anhaltende UV-Bestrahlung (auch Sonnenstrahlen), Abrieb, Risse, Belastung über scharfe Ecken am Fels oder Ausrüstung oder durch Versäumnis der empfohlenen Pflege (Reinigung und Schmierung).

GARANTIE

Wild Country Ltd. garantiert für all seine Produkte einen Umtausch gegen Neu bei Verarbeitungs- oder Materialfehlern, außer wenn das Produkt verschlissen, zweckentfremdet oder unsachgemäß gebraucht wurde. Wild Country wird jedes Produkt angemessen ersetzen, nachdem es geprüft wurde.

Diese Garantie gilt zusätzlich zu Ihren gesetzlichen Rechten, die unangetastet bleiben. Wild Country Ltd. behält sich das Recht vor, ohne Ankündigung Design und Eigenschaften von den in dieser Anleitung beschriebenen Produkten zu verändern. Alle angegebenen Gewichte, Maße und Größen sind nominal.

(IT) WILD COUNTRY ISTRUZIONI PRODOTTO

Questa nota informativa generale sui prodotti è inseparabile dalla nota informativa specifi ca per prodotto.

INFORMAZIONI GENERALI

Attenatevi in tutto e per tutto ai seguenti consigli e raccomandazioni; in caso di dubbio vi preghiamo gentilmente di contattare la Wild Country Ltd. Le informazioni contenute in queste istruzioni non sono esaustive e non possono sostituire le istruzioni dettagliate fornite da personale formato e competente. Questo prodotto deve essere utilizzato solamente da persone preparate e competenti, o l'utente deve trovarsi sotto la supervisione di persone preparate e competenti.

L'arrampicata e l'alpinismo sono attività pericolose; anche una corretta scelta, manutenzione e utilizzo di attrezzatura adeguata non elimina il potenziale pericolo di ferite gravi o morte. E' responsabilità dell'utente assicurare un utilizzo corretto e sicuro di qualsiasi prodotto fornito da Wild Country Ltd; assicurare che il prodotto sia utilizzato solamente per gli scopi per i quali è stato progettato, e che siano messe in atto tutte le misure di sicurezza. Il produttore o il fornitore non accetteranno nessun tipo di responsabilità per eventuali danni, ferite o decessi causati da un cattivo utilizzo del prodotto.

UTILIZZO GENERALE

Il prodotto deve essere utilizzato seguendo le istruzioni. Può essere utilizzato in concomitanza con altri dispositivi di protezione individuale che rientrano nella sopracitata direttva dopo attento esame dei limiti di ciascun articolo e del sistema di assicurazione in generale. Non devono essere apportati cambiamenti o altri segni sul prodotto.

La protezione fornita da questo prodotto dipende dalla sua forza, dalla qualità della roccia di ancoraggio utilizzata e dall'integrità del punto di assicurazione. L'efficacia del prodotto si ridurrà con il passare del tempo e con l'usura che dipenderà dal grado di utilizzo al quale è stato sottoposto,

per maggiori dettagli fate riferimento al paragrafo sul logoramento.

Sappiate che il prodotto può danneggiarsi in seguito ad una caduta, ed è quindi consigliabile constatare la presenza di anomalie prima che essa venga riutilizzato. Se l'articolo mostra segni di usura, anomale, o se vi è il minimo dubbio circa la sua funzionalità, consigliamo di sostituirlo. Consigliamo di sostituire il prodotto conseguentemente ad una grave caduta; dalla vostra attrezzatura dipendono delle vite.

L'utente è tenuto a conoscere la storia del prodotto (utilizzo, conservazione, controlli, ecc.). Se il prodotto non è utilizzato per scopi personali (ad esempio viene utilizzato in centri dove si pratica l'alpinismo o l'arrampicata) consigliamo vivamente di registrarla in modo sistematico dati relativi al prodotto. Questa operazione deve essere eseguita da personale competente. Oltre ai controlli di routine che devono essere fatti prima di ogni utilizzo, il prodotto deve essere revisionato nel dettaglio da personale competente almeno una volta ogni tre mesi. Se il prodotto presenta o si ve il ha il sospetto che vi siano alcune delle anomalie descritte nella sezione logoramento, deve essere immediatamente ritirato.

ATTENZIONE

Utilizzare il prodotto in circostanze estreme diminuisce notevolmente la sicurezza di utilizzo dello stesso.

CONSIGLI GENERALI PER LA SICUREZZA

Indossare un casco durante l'arrampicata vi aiuterà a proteggere il capo in caso di caduta. Se praticate tecniche di assicurazione consigliamo di utilizzare guanti adatti. Prevedete e agite in modo appropriato nel caso vi troviate in situazioni in cui potrebbe essere previsto l'intervento dei soccorritori.

COME UTILIZZARE QUESTO PRODOTTO

Utilizzate gli schemi qui accanto come guida all'utilizzo. Gli schemi non possono sostituire le istruzioni che personale competente e adestrato può fornire.

TEMPERATURA

Gli articoli composti interamente o parzialmente da materiale tessile devono essere conservati sotto i 50°C poiché temperature più elevate potrebbero influire sul rendimento del nylon/ Dyneema. Test fatti in ambienti con temperature che arrivano fino ai -40°C mostrano che non avvengono cambiamenti permanenti nel rendimento di questo materiale, tuttavia il nylon/ Dyneema potrebbe irrigidirsi se la temperatura scendesse sotto gli 0°C.

AGENTI CHIMICI E CORROSIVI

Evitate qualsiasi contatto con reagenti chimici poiché potrebbero influire sul rendimento del prodotto (ad esempio l'acido delle batterie dei veicoli, decoloranti, ecc.). Eliminate immediatamente il prodotto nel caso fosse entrato in contatto o sospettate che sia entrato in contatto con queste sostanze (l'articolo, pur non presentando segni evidenti, potrebbe essere comunque meno resistente). E' essenziale pulire il prodotto il prima possibile dopo che questo sia entrato in contatto con acqua marina, o qualsiasi altro ambiente salino (ad esempio dopo impiego su scogliere marine).

PULIZIA E DISINFESTIONE

Per prima cosa sciacquate il prodotto in acqua per usi domestici fredda e pulita. Se risulta ancora sporco sciacquate in acqua calda (temperatura massima 40°C) con del sapone puro. Risciacquate molto bene e lasciate asciugare naturalmente in una stanza calda e ventilata, lontano da fonti di calore dirette, se presenti, seguire le istruzioni per la pulitura che troverete sull'etichetta del prodotto.

MANUTENZIONE

La manutenzione non può essere eseguita dall'utente ad eccezione della pulizia e della lubrificazione, se necessaria; rimandiamo alla sezione "pulizia e disinfezione" e agli schemi relativi alla lubrificazione. Consigliamo unicamente l'utilizzo di prodotti a base di paraffina; se dovessero sorgere dei dubbi contattate la Wild Country per maggiori informazioni.

IMMAGAZZINAGGIO E TRASPORTO

Dopo la necessaria pulizia e lubrificazione, riponete il prodotto privo dell'imballaggio in un luogo fresco, buio, asciutto e ventilato, lontano da spigoli taglienti, pressioni, corrosivi o altre possibili cause di danno. Se l'attrezzatura è bagnata, lasciatela asciugare prima dell'immagazzinaggio o del trasporto.

Abbiatè cura di proteggere il prodotto da eventuali rischi descritti nella sezione logoramento. Consigliamo l'utilizzo di zaini o altre borse durante il trasporto.

LOGORAMENTO

Il prodotto si deteriorerà con il passare del tempo e con un normale utilizzo, perciò tramite la direttiva 89/686/CEE ci è stato richiesto di fornire una data di deterioramento. Non è facile indicare una data precisa, ma una stima per la conservazione di questo prodotto può essere la durata di 10 anni dalla data del suo primo utilizzo per quel che riguarda la componente metallica, e di 5 anni dalla data del primo utilizzo o 10 anni dalla data del primo immagazzinaggio per la componente tessile. Tuttavia vi preghiamo di tenere a mente che i seguenti fattori ridurranno ulteriormente la sicurezza di utilizzo del prodotto:-

Elementi metallici; utilizzo regolare, esposizione a reagenti chimici, corrosione, contaminazione da calce, alto carico d'impatto in caso di arresto di una caduta, carico su sporgenze affilate, rocce o attrezzatura, o mancata manutenzione (pulizia e lubrificazione) come indicato.

Elementi tessili: è risaputo che la maggior parte dei componenti tessili utilizzati in attrezzature di protezione degradano con il passare del tempo anche nel caso vengano conservate in condizioni ideali. Inoltre, il regolare utilizzo, le abrasioni delle corde, l'esposizione a temperature elevate, alto carico d'impatto in caso di arresto di una caduta, esposizione prolungata ai raggi UV, inclusa la luce solare, abrasione, tagli, carico su sporgenze affilate, rocce o attrezzatura, o mancata manutenzione (pulizia) come indicato, potrebbero causare un'ulteriore diminuzione dell'efficacia del prodotto.

GARANZIA

La Wild Country Ltd garantisce tutti i prodotti nuovi da difetti di fabbricazione o di materiale, a meno che, dopo un esame eseguito da noi, il prodotto non risulti usurato o ilizzato in maniera errata. La Wild Country sostituirà qualsiasi prodotto che risulti appropriato dopo essere stato esaminato.

Questa garanzia si aggiunge ai diritti che vi sono riconosciuti dalla legge, che rimangono invariati. La Wild Country Ltd si riserva il diritto di modificare senza preavviso il modello e le specifiche dei prodotti descritti in queste istruzioni. Tutte le specifiche menzionate relative al peso, alle dimensioni e alle taglie sono nominali.

(ES) INSTRUCCIONES DE PRODUCTOS WILD COUNTRY Esta ficha de información general de los productos es indissociable de las fichas de información específica por producto.

INFORMACION GENERAL

Ajustese estrictamente a los siguientes consejos y recomendaciones; en caso de duda, por favor contactar con Wild Country Ltd. La información en estas instrucciones no es exhaustiva y no puede sustituir la formación apropiada a cargo de personal preparado y competente.

Este producto sólo debería ser usado por personal preparado y competente o bajo la supervisión de alguien con la debida formación y competencia.

La escalada y el montañismo son peligrosos; incluso la correcta selección, mantenimiento y correcto uso del material, no pueden eliminar ese peligro potencial, lesiones graves o incluso la muerte. Es responsabilidad única del usuario comprender el correcto y seguro uso de cualquiera de los productos fabricados por Wild Country Ltd.. Lo utiliza para las actividades para las que fue diseñado y utiliza los procedimientos de seguridad adecuados. El fabricante o distribuidor no aceptarán ninguna responsabilidad por los daños, lesiones o muerte resultantes por mal uso.

USO GENERAL

Este producto sólo se debe usar como se indica. Es posible su utilización en conjunto con cualquier otro EPI cubierto por la directiva anteriormente mencionada, teniendo en cuenta las limitaciones de cada elemento individualmente y de todo el sistema de aseguramiento como conjunto. No se deben hacer alteraciones ni marcas en el producto.