



Tips for protecting your equipment

Ice axes, crampons, ice screws



You too can help prolong the lifetime of your products. To succeed in this challenge, several aspects must be taken into account: product usage (intensity, frequency, conditions etc.), and also the transport, storage, care and maintenance.

Taking care with all of these aspects helps avoid premature wear of the equipment.

Here is a summary of precautions recommended by Petzl for maintaining your equipment.



Basic principles

- In general, take care of your safety gear. Do not leave it lying about anywhere. Do not throw your gear on the ground.
- Read the specific recommendations for each product in the Instructions For Use available on the Petzl Web site.
- See the heading "PPE* Inspection".

* PPE is Personal Protective Equipment, equipment worn or carried by the user. PPE are classified in three categories:

Category 1: minor hazards, light mechanical impacts, solar radiation (e.g. glasses, gloves)

Category 2: serious hazards (e.g. ventilated helmets, crampons)

Category 3: major or deadly hazards (e.g. harnesses, carabiners, ice axes)



Reminder of the lifetime of Petzl equipment.

- The maximum lifetime is up to 10 years from the date of manufacture for plastic and textile products.
- The lifetime is indefinite for metal products.
- Warning: An unusual event may require you to retire a product after only one use. This may involve the type and intensity of use, or the environment in which it is used: aggressive environments, sharp edges, extreme temperatures, chemicals...
- To learn more, see the heading "PPE Inspection".

How can I find out the age of my Petzl PPE?

All of our PPE products are now identified by a serial number. This number may be marked in a number of ways: laser, engraving, label, etc. It allows us to identify our products.

To find out the year of manufacture, refer to this detailed serial number in the following manner:

Example for recent PPE: 09 365 AB 1 234

09 year of manufacture
365 day of manufacture in that year
AB person who inspected the product
1234 individual product number

The oldest harnesses may be marked this way: 99 289 A

99 year of manufacture
289 day of manufacture in that year
A code of the person who inspected the product

Older connectors may be marked this way: 05 06

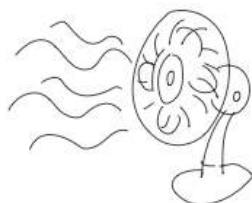
05 month of manufacture
06 year of manufacture

Transport

- It is preferable to store your equipment in a pack to protect it.
- With a backpack, take care that crampon points or sharp objects don't damage your helmet, ropes, or slings.
- When traveling by truck, train, plane, or boat, the temperatures can be extreme and can degrade the products. For example, never leave your textile equipment or helmets under a window or in the trunk of a car that is exposed to direct sunlight. The temperature can be higher than 80 °C.
- In the trunk of a car, for example, pay attention to your equipment's possible proximity to gas cans, car batteries, or cleaners (risk of leaking). Warning: any contact with chemical products, harsh or corrosive substances (e.g. acids) is prohibited. If you have a doubt, retire your equipment.

Storage

- Store your equipment in a well-ventilated area out of direct sunlight (UV).
- Reserve a specific place for your equipment. Warning: any contact with harsh or corrosive substances (e.g. acids) is prohibited. If you have a doubt, retire your equipment.
- Never store your gear in a damp place where mold can develop (damp closets, bags and waterproof containers with moisture inside). For long-distance travel, beware of moisture in containers during transit, in ports or airports, especially in salty environments.



Repair

Modifications and repair of Petzl products outside of Petzl facilities is prohibited, except for replacing worn parts with replacement parts referenced in Petzl catalogs. See the list of replacement parts at petzl.com

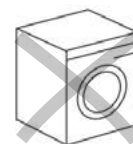
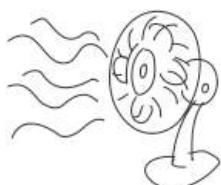
In case of doubt, contact After-sales service (aftersales@petzl.fr)

Washing

Recommendations for washing are indicated for each product family.

Drying

- Remove your gear from packs after each activity, even if cleaning isn't necessary.
- Let all your gear air-dry away from UV sources (ultraviolet rays).
- Avoid proximity to heat sources such as direct sunlight, wood fires, or a radiator.



Maintenance

In general, when used in amateur sports, Petzl products do not require any special maintenance, outside of cleaning, except for metal products (see paragraphs: belay devices, descenders, carabiners, pulleys, ascenders, ice axes, crampons, ice screws).

Metal equipment

Identification

Petzl metal products are marked with a laser engraving, a label, or a stamp indicating the model name, standards references and the serial number for traceability.

Usage tips

If you want to personalize your metal gear:

- Engraving a carabiner or other metal equipment is not recommended as this is a modification of the product that can weaken it. Do not use a stamp or punch. The use of stamps or punches is strictly prohibited, as this type of marking may affect product performance, depending on the depth, the force of impact, and the chosen area.
- However, you can use an electric engraving pen (depth less than 0.1 mm) on the frame, next to the serial number.
- You can also mark your metal equipment with a small amount of paint (paint pen or "metal writing" paint). Warning: do not dip your equipment in paint. Apply a small, thin marking of paint, not too thick.
- Do not mark any working areas. The marks must be made on a part of the body where there is no rubbing against another device, or rope. The marks must not hide the original marking (serial number, standards, etc.).
- This type of marking is prohibited on plastic pieces, as the chemical agents in paints can weaken the structure of plastics.
- As we cannot test every available paint, we advise you to choose a metal-compatible paint.

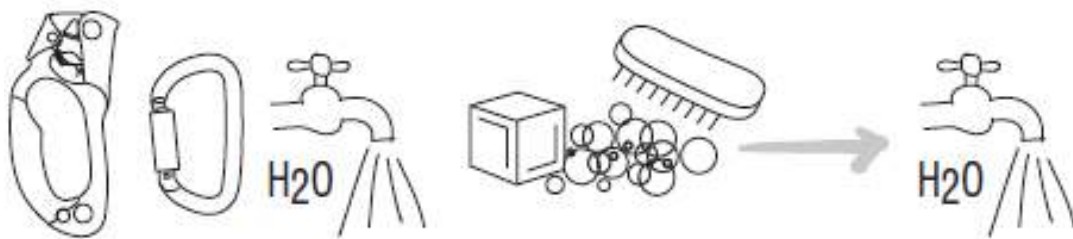
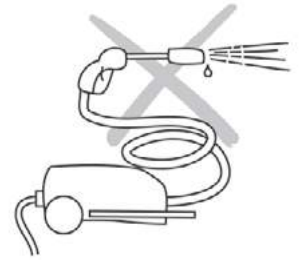


You can use adhesive tape on the areas where the rope does not run.



Maintenance

- After use in a salty environment (seaside), rinse with fresh water.
- Use a small brush to remove oily dirt or mud.
- Wash your gear in lukewarm soapy water (ph neutral, 30 °C maximum), then rinse thoroughly with fresh tap water.
- Do not use acid or harsh cleaners. Do not use WD 40 type degreasers as these products remove lubricants and their abrasive effect can accelerate wear.
- Certain metal gear also has plastic parts. Use only household face and body soap. All other cleaning products, for example solvents, stain removers, degreasers, etc. are too strong and not compatible with plastic materials.
- Do not use a high pressure water sprayer. High pressure water spray can remove lubricants and damage joints.
- If lubricating is necessary. Lubricate only with fluid oils (machine oil) or graphite powder. After lubricating, clean oil residue with a cloth to avoid getting oil on slings or ropes.



Ice axes, crampons, ice screws

Usage tips

- Wipe ice axes and crampons with a dry cloth after use.
- Do not store crampons with wet slings.
- Remove and wipe the ice screw caps. Let ice screws dry completely.
- Carry ice screws in a protective case (ICEFLUTE) to avoid damaging the threads or dulling the cutting edges.



Maintenance

Rusting ice axe picks

• Ice axe picks are made of high strength steel without any rustproof treatment. After use, small traces of rust may appear. These traces do not affect the strength and do not lower the technical performance characteristics of your ice axe. To remove these traces of oxidation, you can rub the affected areas with an abrasive sponge. In using the ice axe, it is likely that these traces will disappear on their own.

• To reduce rust, it is recommended to wipe the ice axe pick with a dry cloth after each use. To better protect it, it is also recommended to coat it with oil or silicone grease. chance qu'en utilisant votre piolet, ces traces disparaissent simplement.

• Pour limiter cette rouille, il est conseillé, après chaque utilisation, d'essuyer la lame de votre piolet avec un chiffon sec. Pour mieux la protéger, il est également recommandé de l'enduire d'un corps gras : huile ou graisse silicone.



Maintenance

Sharpening ice axes and crampons

• To remove picks, you can use a tube socket to facilitate loosening the nuts.

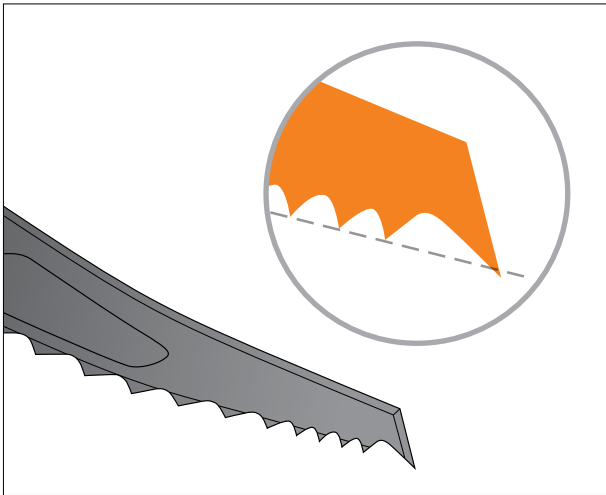
• File by hand to avoid heating which can affect the properties of the steel.

• Use a flat file for use with metal.

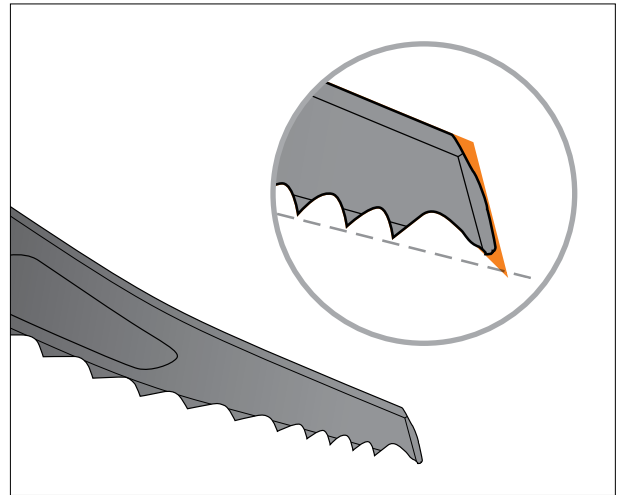
• It is necessary to cool the assembly frequently to avoid overheating and affecting the properties of the steel. The teeth will dull easily if they have been heated.



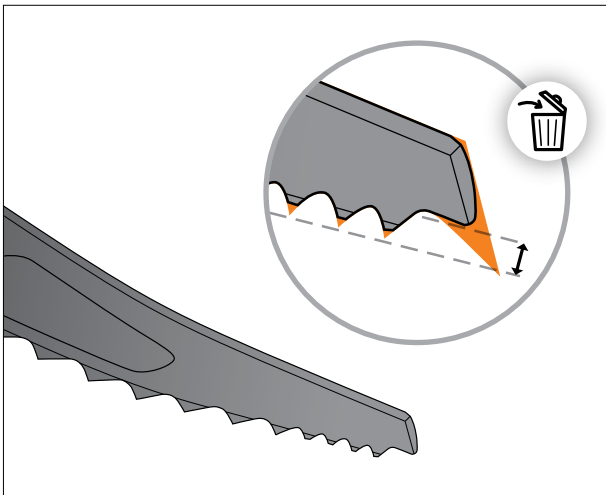
How to sharpen axe blades for climbing?



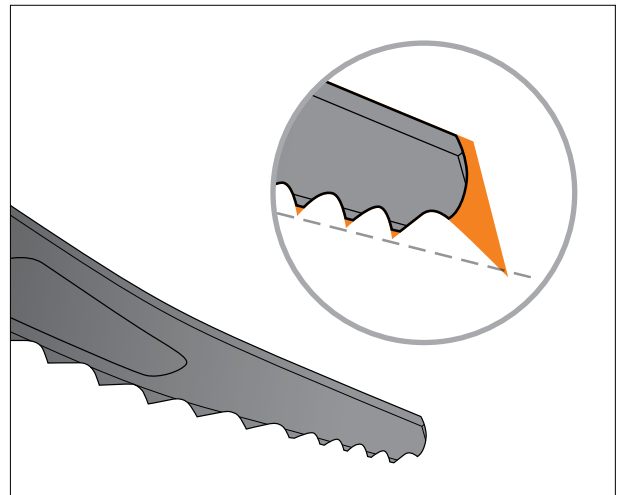
New pick



Pick in acceptable condition, to be sharpened.

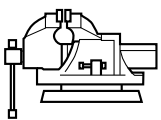


The first tooth is far too high (not hooked enough). To be retired.

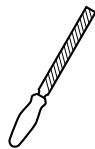


The first tooth is too worn. To be retired.

• Necessary equipment



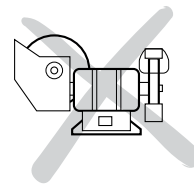
Vise



Flat file

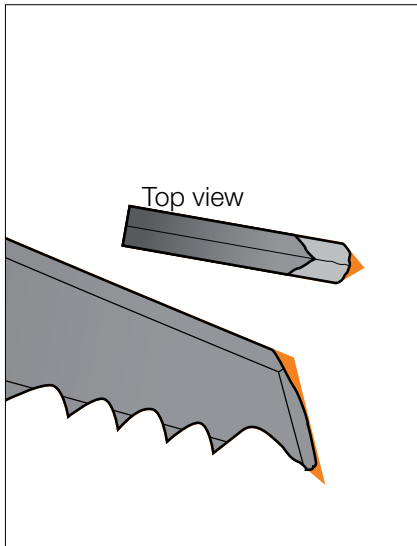


Waterproof lubricant and cloth

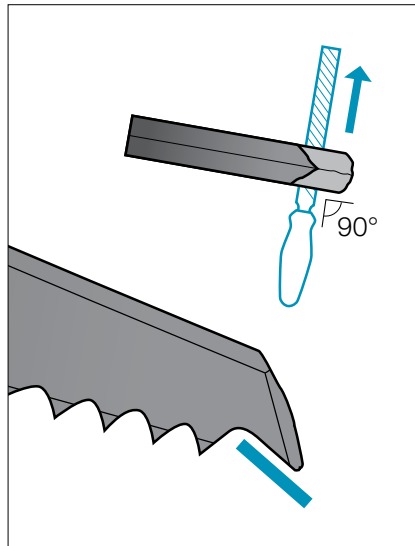


Grindstone prohibited

• Sharpening the pick

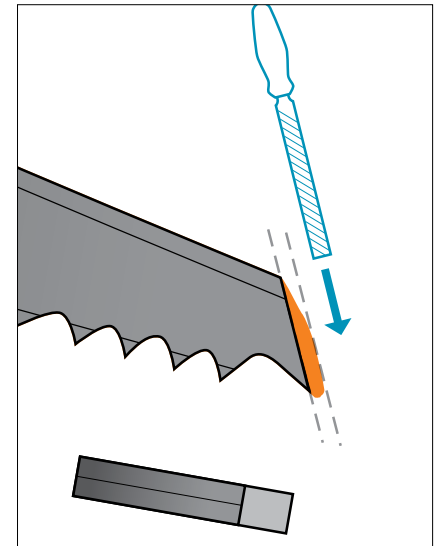


Pick before sharpening



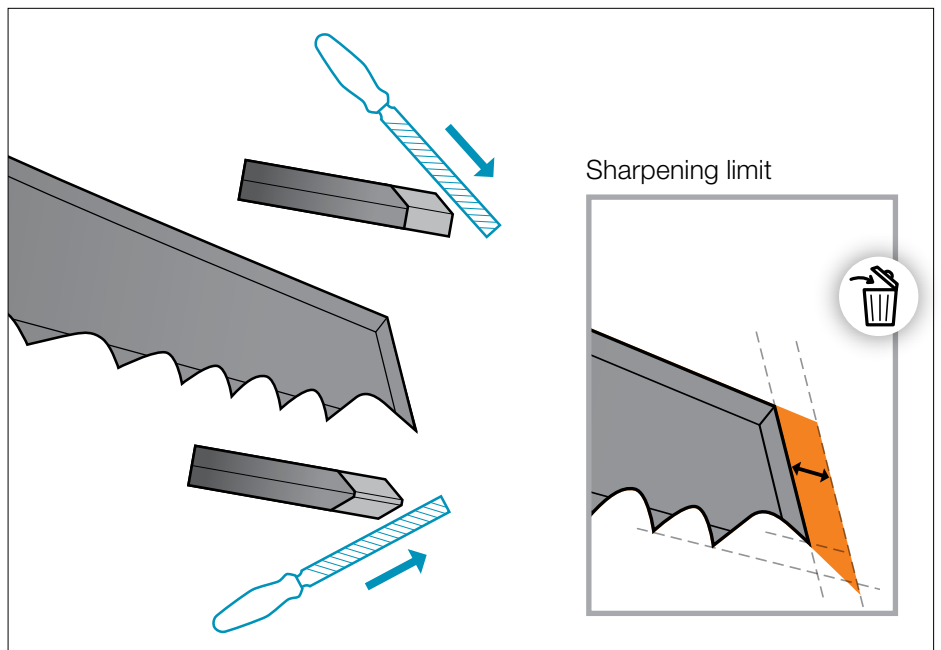
1- Straighten the side under the first tooth

Put the blade upside down in a vise. File very gently, carefully following the original angle of the pick, and filing perpendicular to it. Remove the least amount of metal possible to prolong the life of your pick.



2- Restore the tip edge

File the edge of the tip to restore the original angle.



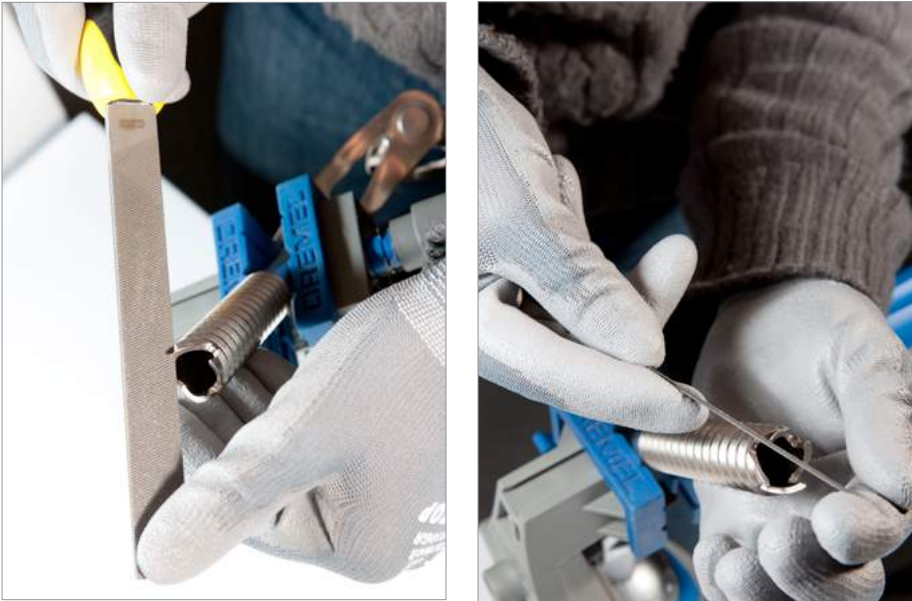
3- Restore the tip edge

Re-sharpen the beveled sides, without creating a sharp edge. Keep a thin (0.5 mm) flat area in the center. This will prolong the life of your pick without reducing its effectiveness.

Lightly lubricate the pick before storing, wipe off excess with a cloth.

Sharpening ice screws

- Use a fine file (flat file and 3 mm maximum round file). Take care not to damage adjacent teeth with a file that is too large.
- Secure the screw in a soft-jawed vice to preserve the threads.
- File only toward the outside of the screw.



Spare parts for ice axes and crampons

- Many spare parts are available for the ice climbing line:
 - Antibotts.
 - Ice axe picks, hammers and adzes.
- When replacing parts or accessories, follow the advice given in the Instructions For Use.
- You can download the list of spare parts (PDF format, 1.3 MB).



When replacing crampon straps, melt the ends.

